

DODGE E-Z KLEEN AND ULTRA KLEEN BALL BEARINGS

DODGE[®]



SAMPER[®]
INDUSTRIAL SUPPLIES

BALDOR[®]

DODGE E-Z KLEEN AND ULTRA KLEEN BALL BEARINGS

For over 125 years, the DODGE brand has been synonymous with the best the industry has to offer. Bearing users in the food and beverage industry recognize that with DODGE they have access to the best selection of the highest quality mounted ball bearings available in the market.

The DODGE E-Z KLEEN and ULTRA KLEEN bearings for the food and beverage industry offer an array of features that provide extended life in these challenging conditions. DODGE has the only bearings in the industry to offer a patented triple-lip seal with a rubberized flinger called the QuadGuard™ sealing system. These units also include an exclusive ball retainer called the Maxlife™ cage that helps retain lubrication and prevents washout in wet environments.

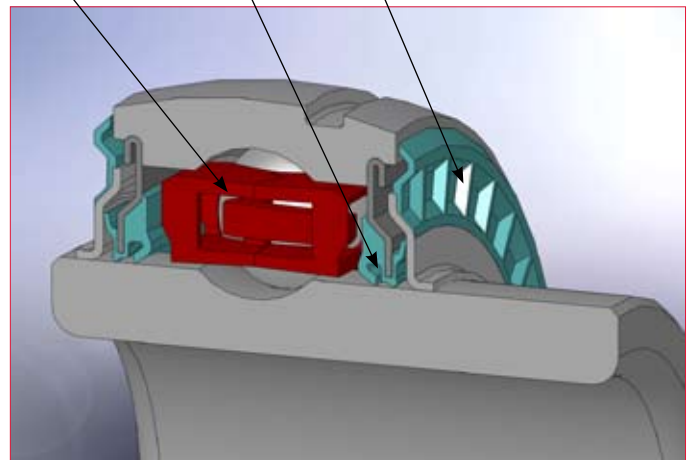
Combine these features with the a complete line of polymer and stainless housing offerings, concentric and adapter mounting options, and a world class manufacturing facility in Rogersville, Tennessee, and you have a family of mounted ball bearing products that are unsurpassed in the industry.

PATENTED QUADGUARD SEAL

The QuadGuard seal consists of two patented features that are unique to DODGE bearings and are standard on the E-Z KLEEN and ULTRA KLEEN product.

- Triple-lip seal
 - Patented design
 - Mechanically retained seal with two contact points on the inner ring and one that rides against flinger surface
 - Three points of contact guard against contamination and keep in lubricants
 - Maximizes sealing with minimal increase in drag compared to a single lip design
- Rubberized flinger
 - Industry's first and only patented design
 - Molded rubber provides additional protection from contaminants entering the bearing
 - Baffle design of the rubber on the external surface of the flinger enhances the removal of liquid as it rotates
 - Extended rubber baffle outer diameter increases centrifugal acceleration to discard moisture and contamination away from bearing
 - Grease chambers on the internal surface prevent lubricants from exiting the bearing
 - Superior design increases service life in dirty environments thus leading to extended uptime

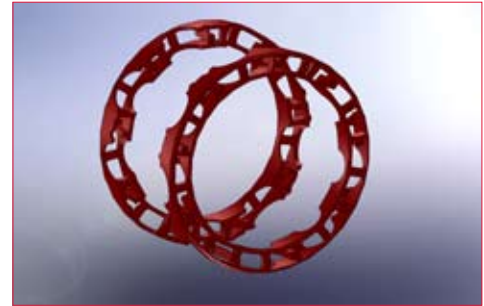
Triple Lip Seal
Maxlife Cage
Rubberized Flinger



MAXLIFE CAGE

The Maxlife cage is the product of extensive research and development in retainer technology and industry leading engineering.

- Two-piece design that creates a grease compartment around each of the rolling elements
- Compartments provide constant contact between balls and grease so an oil film will always exist to prevent wear and minimize friction and heat
- Relative motion between the components and the grease is reduced which results in lower operating temperatures and extended life
- Compartmental construction of the cage holds in the grease and prevents it from being washed out in extremely wet conditions
- Exclusive design extends life with less frequency of re-lubrication than standard designs
- Included in both E-Z KLEEN and ULTRA KLEEN products



E-Z KLEEN AND ULTRA KLEEN

E-Z KLEEN and ULTRA KLEEN bearings are offered in a wide variety of polymer and stainless housings.



- Polymer
 - 204 to 210 Series (3/4" bore to 2", 20mm to 50mm)
 - Pillow Block
 - Two-Bolt Flange
 - Four-Bolt Flange
 - 204 to 207 Series (3/4" bore to 1-7/16", 20mm to 50mm)
 - Tapped Base
 - Flange Bracket
 - Wide Slot Take-Up
 - Solid cross-section base housings
 - No core cavities to trap contaminants
 - Anti-microbial agent retards bacteria and fungus growth
 - All stainless hardware and fittings
 - Housing strength exceeds bearing static capacity
 - Snap-on end covers available

- Stainless Steel
 - 204 to 208, 210 Series
 - Pillow Block
 - Two-Bolt Flange
 - Four-Bolt Flange
 - Narrow Slot Take-Up
 - Wide Slot Take-Up
 - Tapped Base
 - Flange Bracket (no 208)
 - 204-207 Series
 - Light Duty Two-bolt Flange, LFT
 - Light Duty Three-bolt Flange, LF
 - 300 series stainless steel casting
 - Snap-on end covers available



DODGE E-Z KLEEN polymer housing with solid-based housing

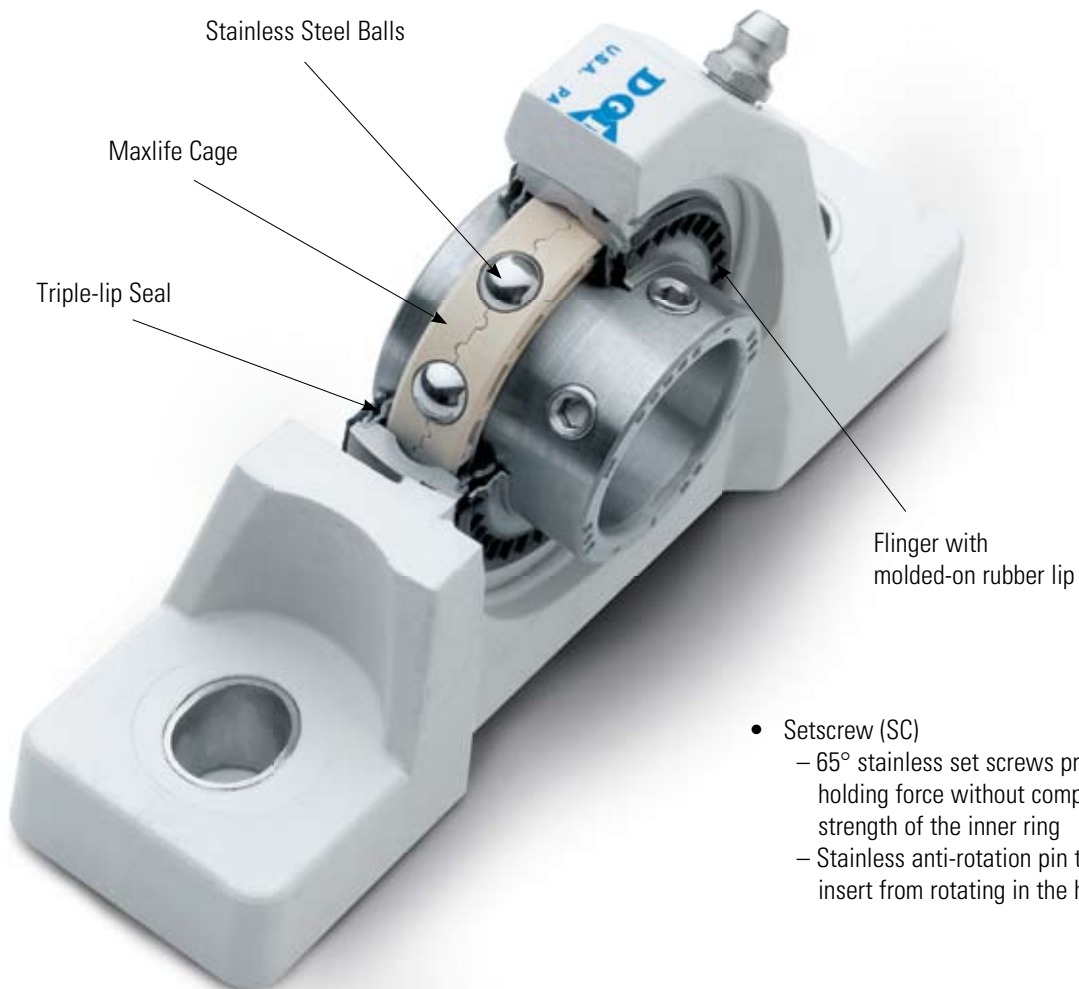
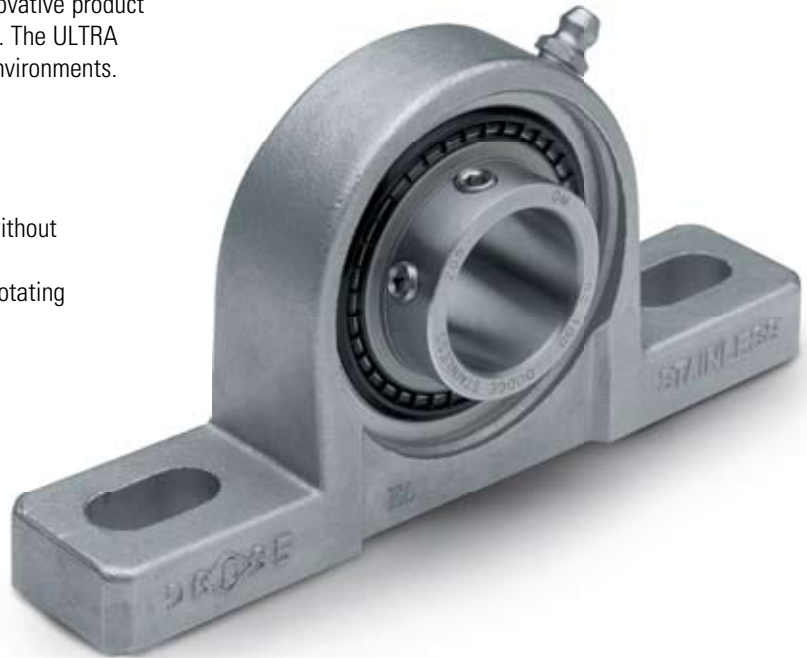


Competitive bearing with cavities and fillings that can trap bacteria

DODGE ULTRA KLEEN

The DODGE ULTRA KLEEN ball bearing is the most innovative product in the market today for the food and beverage industry. The ULTRA KLEEN is built for extended life in wet and corrosive environments.

- QuadGuard sealing system
- Maxlife cage
- 100% stainless steel inserts
- 65° setscrews provide maximum locking force without compromising the strength of the inner ring
- Stainless anti-rotation pin prevents insert from rotating in the housing
- 100% filled with H1, food grade grease
- Available in polymer and stainless housings



DODGE E-Z KLEEN

The DODGE E-Z KLEEN ball bearing uses a patented, corrosion resistant coating that is superior to any coated product in the market.

- QuadGuard sealing system
- Maxlife cage
- Corrosion resistant insert has a patented nickel alloy Teflon composite coating
- Offered in setscrew (SC), concentric (D-LOK), and adapter mount (GRIP TIGHT) locking mechanisms
- Available in polymer and stainless housings

The DODGE E-Z KLEEN corrosion resistant (CR) insert out performs other coatings on the market today such as black oxide, zinc and thin dense chrome (TDC).

Tests have shown that the DODGE CR insert exhibited 300% longer bearing life than a typical TDC coated insert. The CR insert load capacity is not de-rated as compared to stainless inserts.

DODGE offers the CR insert in three patented locking mechanisms.

- Setscrew (SC)
 - 65° stainless set screws provide superior holding force without compromising the strength of the inner ring
 - Stainless anti-rotation pin to prevent insert from rotating in the housing
- Concentric (D-LOK)
 - Concentric locking accomplished with the use of a locking collar and slotted inner ring
 - Eliminates damage to stainless shafting caused by set screws
 - Reduced vibration as compared to set screws
- Adapter Mount (GRIP TIGHT)
 - DODGE-only patented thin wall adapter mount
 - Push/pull adapter mount system provides easy on/easy off installation and removal
 - Built-in bearing puller reduces the time associated with removing bearings from shaft
 - Adapter mount does not damage stainless shafting
 - Interchangeable adapters reduce inventory

24 HOUR SALT FOG TEST RESULTS

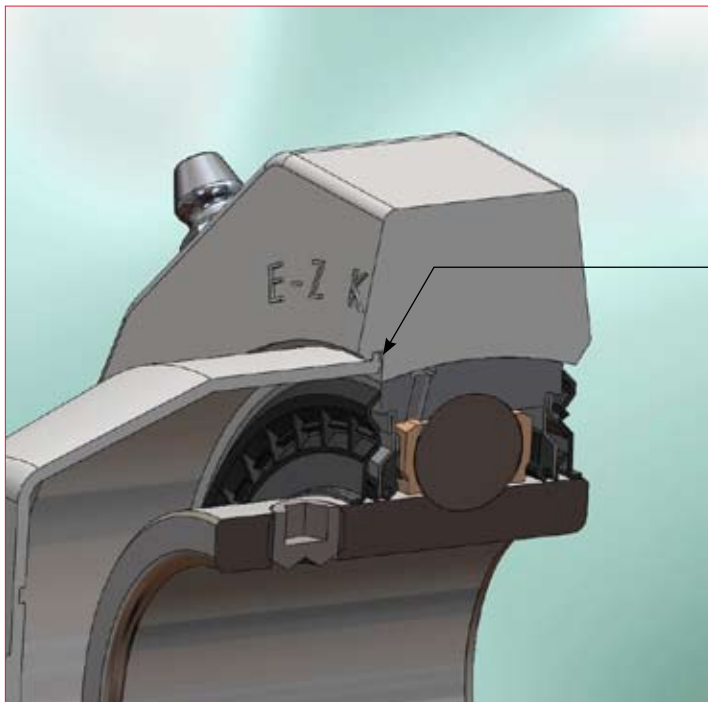
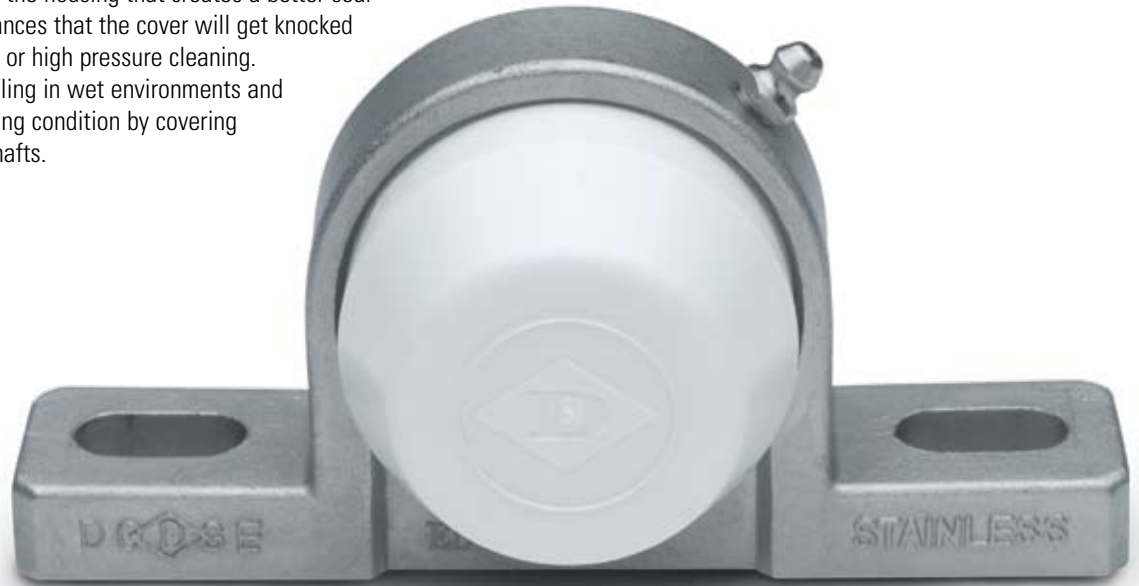
DODGE E-Z KLEEN Corrosion Resistant Insert –
No corrosion after testing



DODGE SNAP-ON END COVERS

All DODGE E-Z KLEEN and ULTRA KLEEN housings are machined with a groove to accept a snap-on style polymer end cover.
DODGE Snap-On End Covers:

- Are durable and easy to install.
- Include a drain hole to prevent moisture from collecting inside the cover.
- Incorporate an additional lip on the mounting surface for a more rigid fit within the housing that creates a better seal and reduces the chances that the cover will get knocked off during operation or high pressure cleaning.
- Provide positive sealing in wet environments and create a safer working condition by covering exposed, rotating shafts.



Extended lip provides a secure fit and positive sealing



Conmutador: +52(55) 5305-1320
Fax: +52(55) 5305-1326
Nextel ID: 52*40085*2
Lada sin Costo México: 01800 552 9428
mail: ventas@rodamientos-samper.com.mx

BALDOR
