

CONTROLLED START TRANSMISSION

DODGE[®]

SAMPER[®]
INDUSTRIAL SUPPLIES



ST

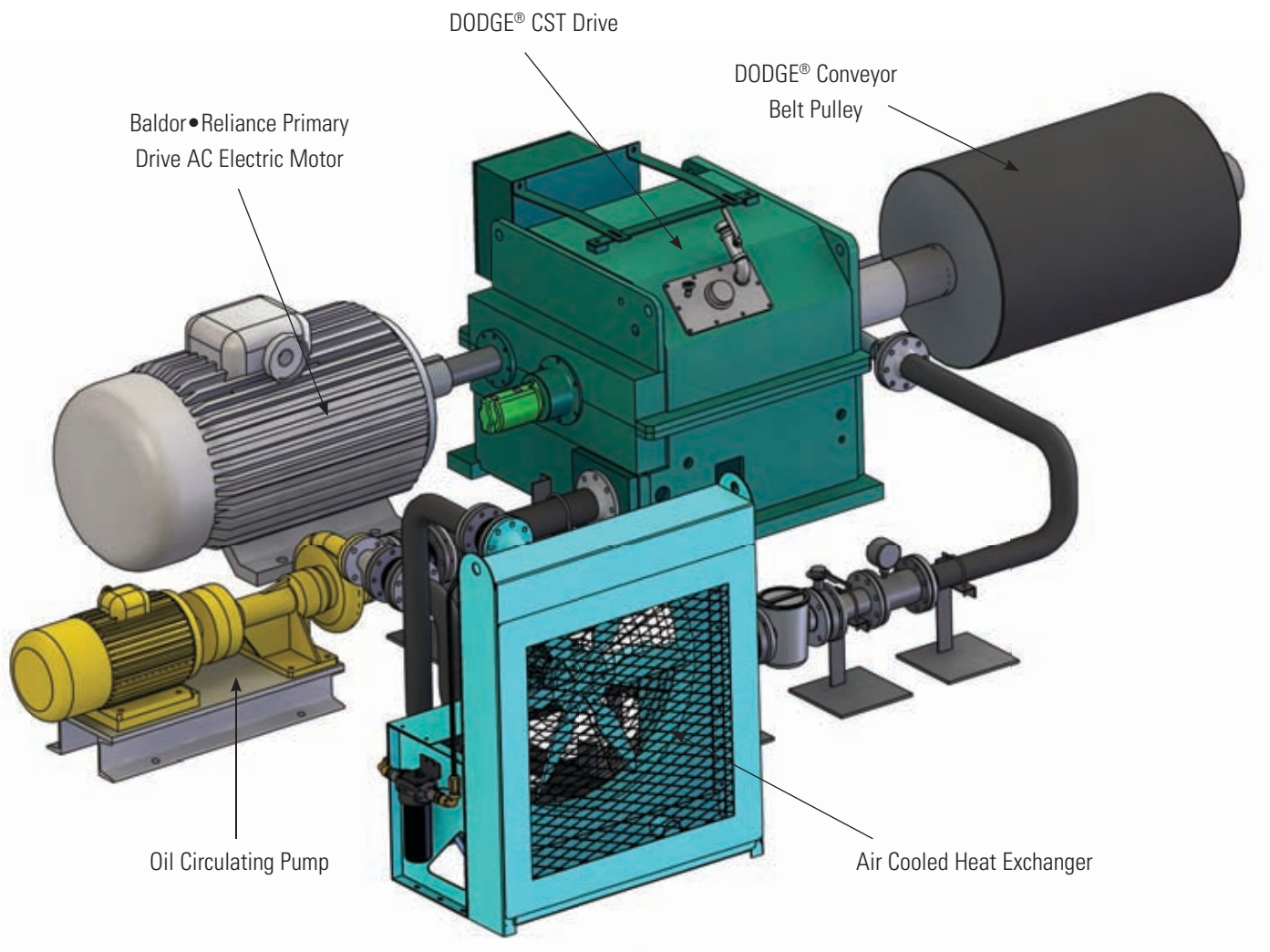
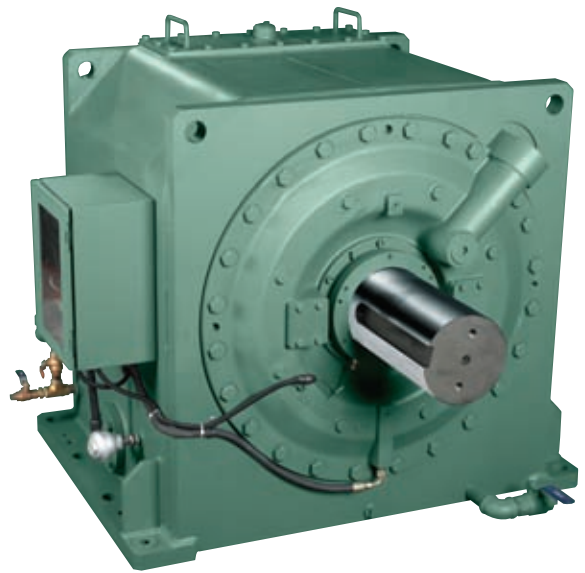
BALDOR[®]

WHAT CST DOES...

The DODGE® CST (Controlled Start Transmission) is a 2 in 1 gearbox which combines a planetary gear reducer with an integral wet clutch system. When coupled to an AC induction motor the CST gearbox converts the motor's high-speed, low-torque input to a low-speed, high-torque output, suitable for direct coupling to a high inertia load, such as a conveyor belt pulley.

The DODGE® CST drive package is a very cost effective solution, engineered specifically to deliver total control of the most difficult high inertia loads such as long conveyor belts and conveyors with multiple synchronized drives. The CST drive provides efficient transmission of motor power and torque with consistent smooth start-up and shut-down, regardless of varying loads on the conveyor or ambient conditions.

CST load sharing performance is unsurpassed even when a system requires multiple drive stations such as tripper drives.

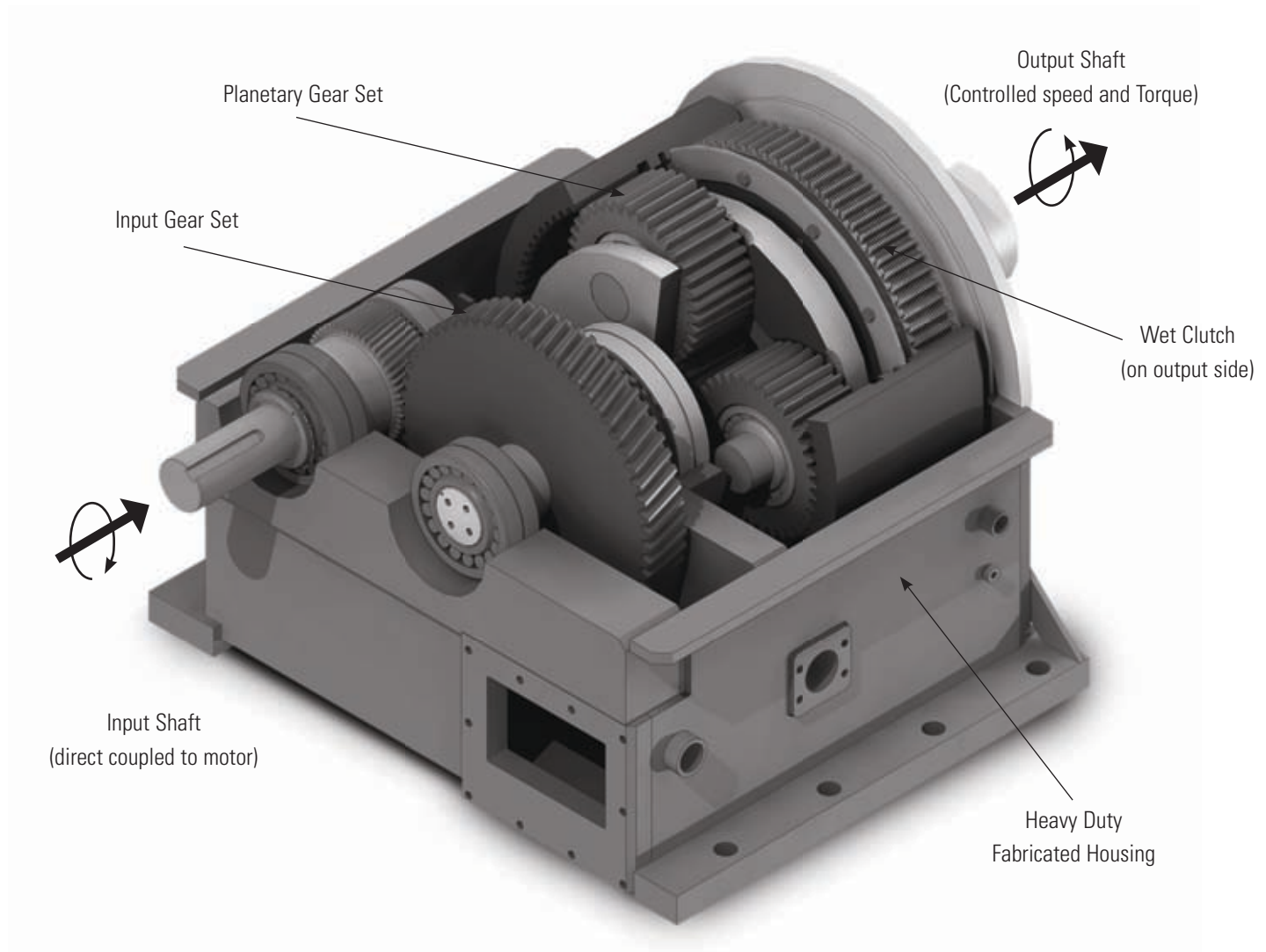


How CST WORKS...

The DODGE® CST incorporates a wet clutch system that is located on the output shaft side of the gearbox, allowing the motor to be started under no-load conditions. The clutch system comprises a set of rotating friction plates and opposing stationary plates, an oil pressure activated piston for engagement, and a spring mechanism for clutch release. Oil is circulated between the plates by a closed circuit pump and cooled through a heat exchanger.

When hydraulic oil pressure is applied to the piston, the clutch plates engage, causing the output shaft to rotate and gradually accelerate to driving speed in predetermined controlled time.

Drive control and feedback equipment is mounted on the gearcase and is comprised of a hydraulic manifold, proportional valve, pressure adjusting valve, filters, gauges, and sensors. These are interfaced via hard-wiring or data-network with a PLC based CST controller which can control up to four CST units for multi-drive synchronized applications.



SYNCHRONISED CONTROL...

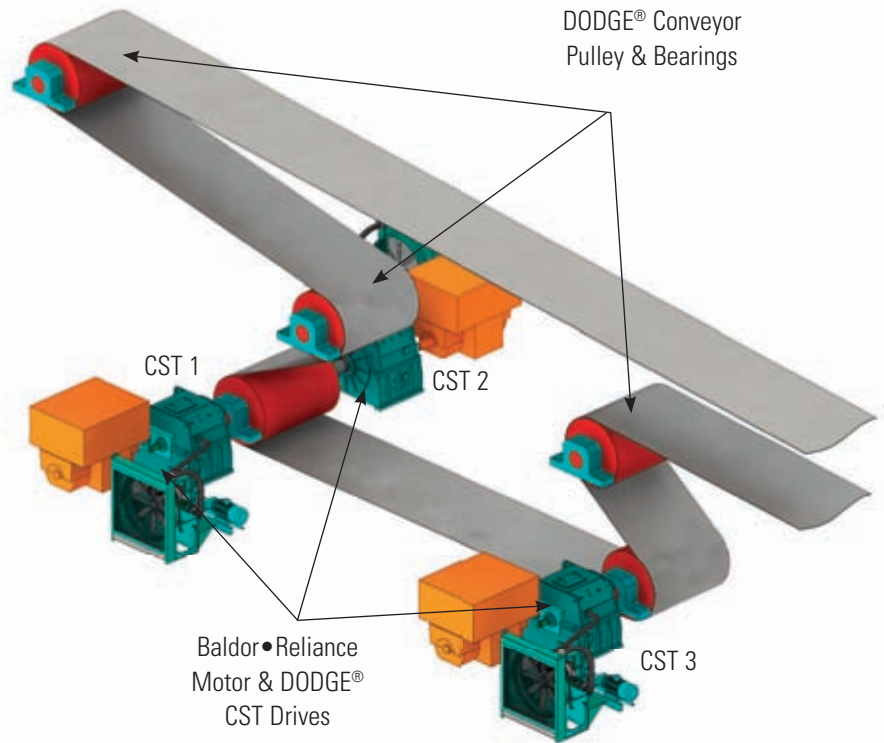
The DODGE® CST control system executes synchronized soft start and load sharing control of up to four CST drives per drive station, and can be interfaced with plant remote supervisory systems, interlocks and safety equipment via hard-wiring or over a data-network.

Standard interface is Ethernet, alternative connectivity is available including:

⇒ DH+ ⇒ Profibus ⇒ Modbus ⇒ DeviceNet



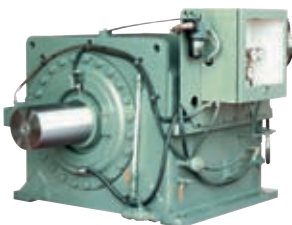
NEMA-4 CST Controller



THE POWER OF CST...

While the unique clutch design of the DODGE® CST delivers the smooth speed and load control during start-up and shut-down, the precision engineered planetary gear train converts the high-speed, low-torque input from the AC motor, to a low-speed, high torque output efficiently and safely.

With a CST drive, the motor starts unloaded and comes up to pull speed with no load. In addition, when multiple drive motors are utilized, they can be brought up to full speed independently prior to applying any load. Starting the motors in this manner limits the demand on the power grid because the motors are at full speed before applying load; the available starting torque is not limited to the motor pull up torque as for most drives. In fact the full breakdown torque of the motor is available, if required, without over sizing the system.



Model CST 630K



Model CST 750K



Model CST 1500K

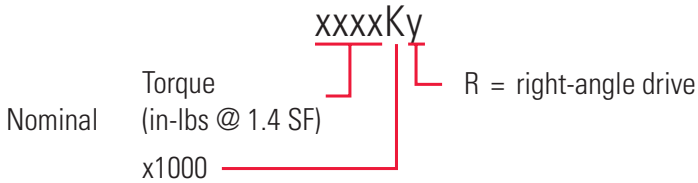


Model CST 2500K

CST NOMENCLATURE...

The basic CST description is based on the nominal torque rating in in-lbs at a 1.4 service factor. For example a 1000K CST has a nominal rating of 1,400,000 in-lbs of torque. All models are available in offset parallel configuration and some are available on a right angle model. The right angle versions are indicated by an "R" suffix.

DODGE® CST Drive Model Designation



Models and Specifications of DODGE CST Drives

"CST Model (K = 1000 in-lb Torque)"	"Max. HP on Input Shaft at 1780 rpm Service Factor = 1.4"	Gear Ratio	Output Speed (@ 1780 rpm Input) RPM
280K	400	15.3750 - 38.1563	115.8 - 46.7
280KR	400	15.2190 - 57.2128	117.0 - 31.1
420K	600	16.8636 - 38.3478	105.6 - 46.4
420KR	565	16.7334 - 57.2197	106.4 - 57.2
630K	900	16.6250 - 38.3333	107.1 - 46.4
750K	1200	16.7143 - 38.5325	106.5 - 46.2
750KR	1009	16.6517 - 55.5909	106.9 - 32.0
G750K	1414	15.6214 - 38.9118	113.9 - 45.7
G750KR	1431	15.4339 - 40.3946	115.3 - 44.1
1000K	1500	16.7143 - 38.5110	106.5 - 46.2
G1000K	1749	12.0582 - 38.5110	124.2 - 46.2
G1000KR	1749	12.5528 - 55.5909	141.8 - 32.0
1120K	1500	17.0769 - 34.9091	104.2 - 51.0
1120KR	1249	16.8587 - 57.6261	105.6 - 30.9
1500K	1750	17.0769 - 34.9091	104.2 - 51.0
G1500K	2375	12.3673 - 34.9091	111.6 - 51.0
G1500KR	2375	12.2609 - 57.6261	145.2 - 25.7
1950K	2500	17.1000 - 38.3727	104.1 - 46.4
2500K	2900	17.1000 - 38.3727	104.1 - 46.4

THE CST PACKAGE...

Baldor can supply your complete drive package with our proven products.

Get a complete engineered system including:

- Dodge CST
- Baldor Reliance motor
- Drive Base
- Dodge Couplings
- Flywheels
- Dodge Conveyor Pulleys
- Dodge Mounted Bearings
- PLC Control System



THE RELIABILITY OF CST...

Dodge CST design and manufacturing is based on reliability in difficult environments. Utilization of CSTs for starting and load sharing in complex bulk materials handling applications affords the precise control required with a simple yet reliable solution.

The rugged construction and simplicity of a mechanical soft start and load sharing drive make CST a great choice for demanding applications where high availability is a must. The design incorporates a rugged gear train and many other standard features to assure a long life of trouble free performance. The superior sealing system, incorporating tandem lip seals with a grease purge cavity, provides taconite protection with the added benefit of the excluder lip seal preventing contamination within the grease cavity.

Testimony to the durability of CST systems is evidenced by the fact that many CST systems have been in service for decades around the globe. Serviceability is also a key factor in selection of a drive system. CST systems are simple to operate and maintain without the high degree of technical expertise required by more complex control packages. This is especially important in the remote locations relying on local resources for service and maintenance.

CST is a simple, reliable solution for high availability and lower cost of ownership.





Conmutador: +52(55) 5305-1320
Fax: +52(55) 5305-1326
Nextel ID: 52*40085*2
Lada sin Costo México: 01800 552 9428
mail: ventas@rodamientos-samper.com.mx

BALDOR
